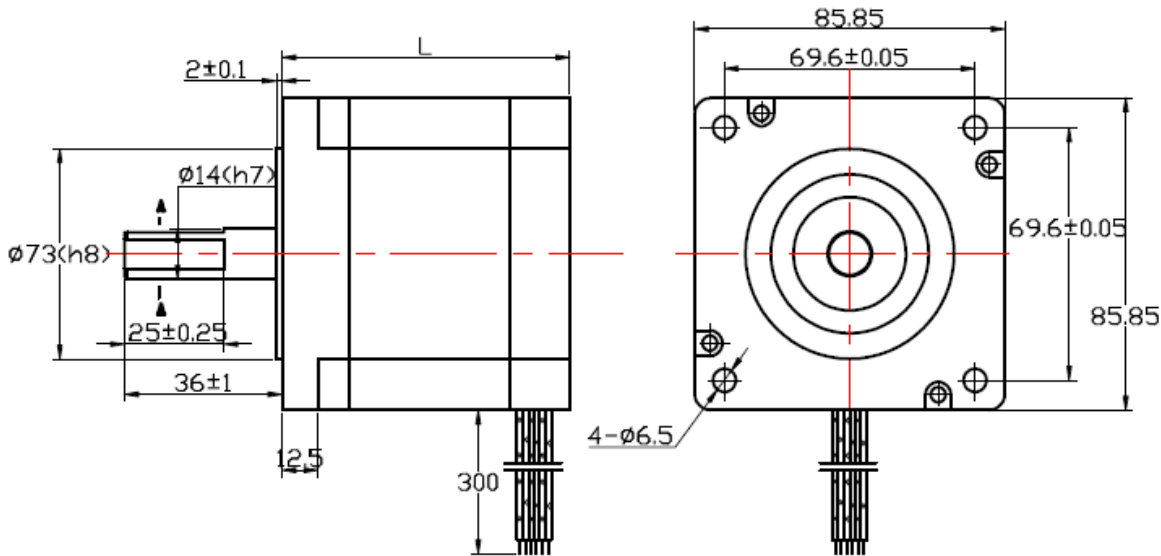




Stepping Motor 2T8 Series

DIMENSION (UNIT:mm)



DIM. TYPE	L
X	68
S	98
M	126
L	156

Specifications

Model	Holding Torque Kg-cm	Rated Current A/Phase	Voltage Volt.	Winding Resistance Ω/Phase	Inductance mH/Phase	Roter Inertia g-cm ²	Weight g	Length mm	Leads
2T811-620	22.00	2.00	5.20	2.60	9.50	1400	2100	68	6
2T811-630	22.00	3.00	3.60	1.20	4.00	1400	2100	68	6
2T811-440	30.80	4.00	3.20	0.80	18.00	1400	2100	68	4
2T821-620	44.00	2.00	8.40	4.20	20.00	2700	3300	98	6
2T821-630	44.00	3.00	5.40	1.80	7.50	2700	3300	98	6

2T821-440	61.50	4.00	5.60	1.40	9.60	2700	3300	98	4
2T831-620	66.00	2.00	11.60	5.80	32.00	4000	3930	126	6
2T831-440	92.00	4.00	6.80	1.70	14.50	4000	3930	126	4
2T841-620	84.00	2.00	14.00	7.00	42.00	5100	5500	156	6
2T841-630	84.00	3.00	13.20	4.40	21.00	5100	5500	156	6
2T841-440	118.00	4.00	8.40	2.10	21.00	5100	5500	156	4